

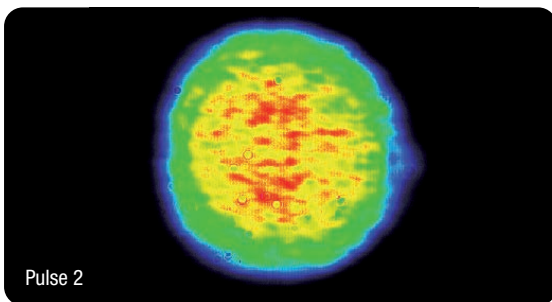
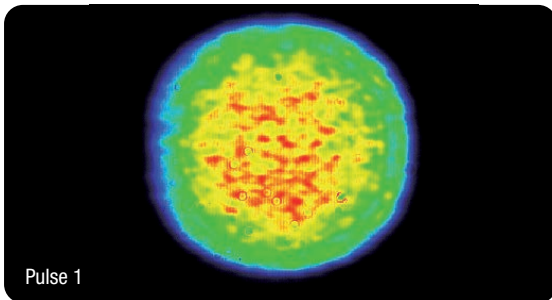
## A state of the art laser for PIV



### MAIN FEATURES

- GRAB AND GO HANDLES
- SYSTEM PARAMETERS STORED IN LASER HEAD
- BUILT TO WITHSTAND HARSH ENVIRONMENTS
- TEMPERATURE CYCLED & VIBRATION TESTED
- QUICK CONNECT UMBILICALS

### NEAR FIELD IMAGE



### DIMENSIONS

1 Integrated Cooling and Electronic (ICE)  
18 kg [40 lbs]

A 500 mm [19.7"]

B 406 mm [16"]

C 236 mm [9.3"]

2 Optical laser head  
7 kg [15.5 lbs]

A 102 mm [4"]

B 151 mm [6"]

C 400 mm [15.75"]



**EverGreen**  
BIG SKY LASER SERIES

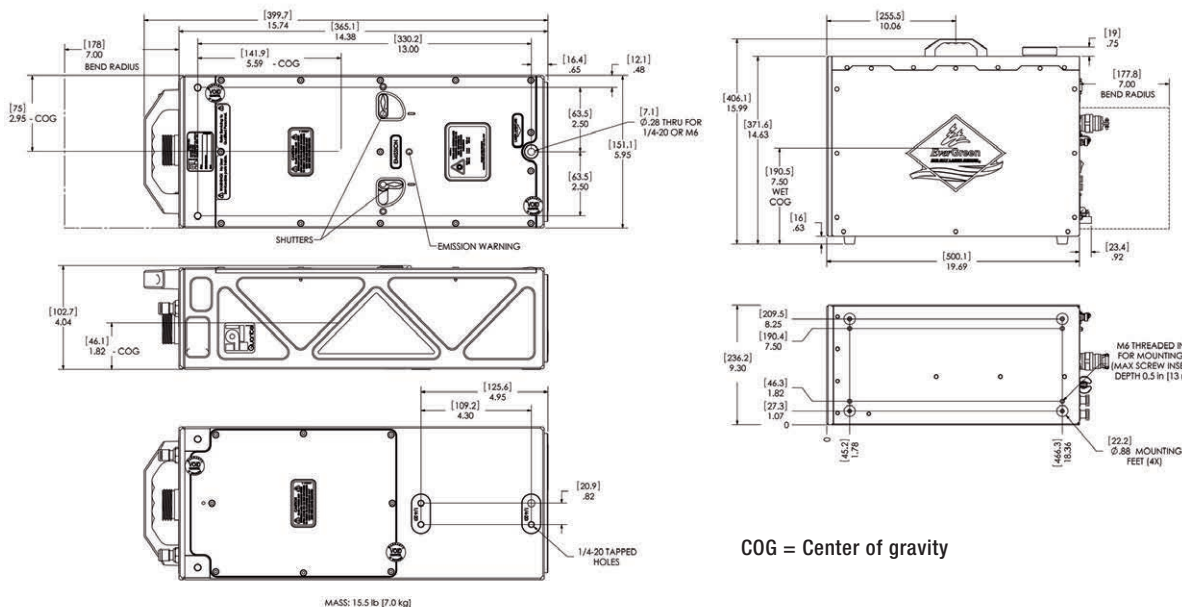
# TOUGH, RUGGED, RELIABLE. SIMPLY EASY TO USE

MODEL	EverGreen 70	EverGreen 145	EverGreen 200	EverGreen 25100	EverGreen 30266
Wavelength (nm)	532				266
Pulse repetition rate (Hz)	15			25	15
Energy (mJ)*	70	145	200	100	30
Pulse-to-pulse Energy stability (% RMS)	< 2.5		< 2		< 3
Energy drift Over 8 hours (%)	10				
Pulse width (ns)**	≤ 11	≤ 10			
Near field beam Diameter (mm)	< 5.0	< 6.35	< 6.35	< 5.0	< 6.35
Beam divergence (mrad)***	< 4				
Shot to shot Pointing stability (µrad)	< 100				
Far field beam Overlap (µrad)	± 100				
Near field beam Overlap (µm)	± 100				
Polarization	linearly polarized, vertical				
Spectral purity (%)	> 98				N/A, 266 nm collinear with residual 532 nm
Near field beam profile	flat-top, uniform				

Operational temperature range	18°C - 28°C
Storage temperature range	5°C - 50°C
Power requirements	100-240 VAC 50-60 Hz universal input
Flashlamps lifetime	100 million shots
Coolant	distilled / deionized water
Triggers	5 V nominal into 50 Ω or 5 V nominal into high-impedance, user selectable
Laser head operation	laser head assembly can operate in any orientation
Laser head sealing	sealed to IP 67 specification Do not submerge in water.
Power supply sealing	sealed to IP 21 specification
Laser vibration compliance	MIL-STD-810F Procedure 1 Category 10
Cable length	3 meters (9.84 feet) optional 10 meters (32.81 feet)

## All specifications are at 15 Hz or 25 Hz

\* Double pulsed system: energy given for each pulse \*\* FWHM at nominal energy \*\*\* Full angle containing 86.5% energy



For more detailed technical drawings, please visit [www.quantel-laser.com](http://www.quantel-laser.com)



Photonic Solutions Ltd  
Tel: 0131 664 8122  
Fax: 0131 449 7301  
Email: [sales@photronicsolutions.co.uk](mailto:sales@photronicsolutions.co.uk)  
Web: [www.photronicsolutions.co.uk](http://www.photronicsolutions.co.uk)

